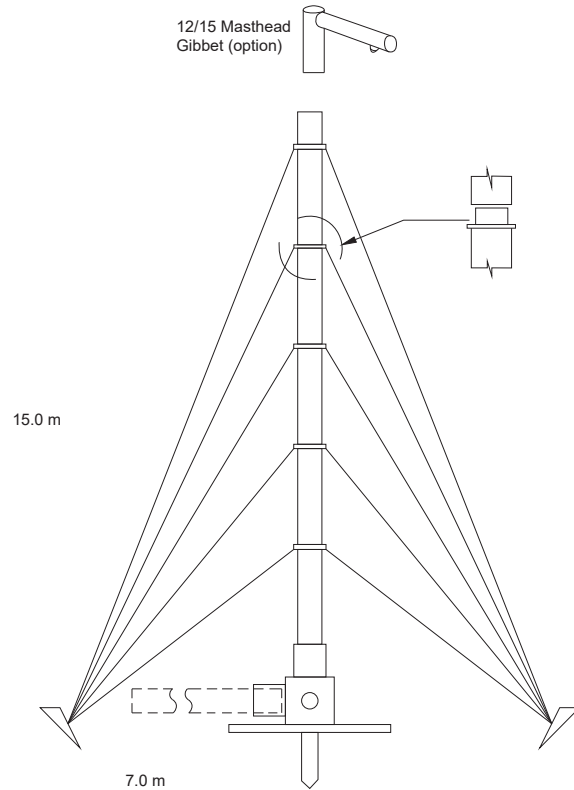


REV	MODIFICATIONS	DRAWN BY	CHECKED BY	DATE
A	CREATION	HE	HE	12/13/2011



Height
Guy Radius
Number of Guys
Wind Loading

Weight of Mast (including guys, ground plate, ground spike, angled elbow and U bracket)

Weight of Masthead Gibbet (option)
Weight of Erection Kit (option)

type 12GM

12 metres (40ft)
6 metres (20ft)
4 x 4 sets
144 km/h (90 mph) with
(26.4 lbs) head load
28.4kg (62.5 lbs) unpacked
34.5kg (76 lbs) unpacked

Type 15GM

15 metres (50ft)
7 metres (23ft)
5 x 4 sets
12kg 144 km/h (90 mph) with 12kg
(26.4 lbs) head load
34.4kg (75.7 lbs) packed
42kg (92.5 lbs) packed

1.5kg (3.3 lbs) unpacked, 2kg (4.4 lbs) packed
10.5kg (23.1 lbs) unpacked, 13.5kg (29.7 lbs) packed

UNLESS OTHERWISE SPECIFIED DIMENSIONS : mm ANGLES : d.			
CUSTOMER N°	FILE N°	TITLE : Guyed Portable Mast/Antenna Systems	
		SIZE A4	NMO-01-0044
		SCALE : N.D.	