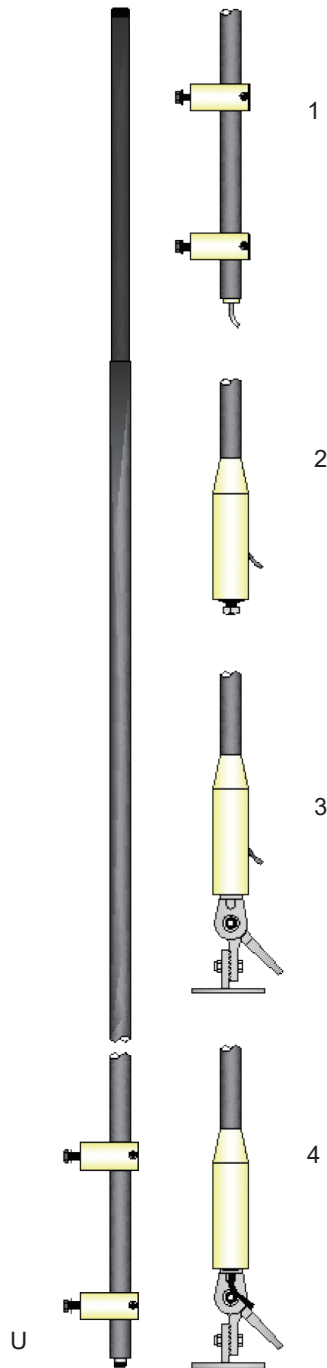


REV	MODIFICATIONS	DRAWN BY	CHECKED BY	DATE
A	CREATION	HE	HE	7/13/2011



Frequency Range 600MHz – 2.5GHz
Polarisation Vertical , Omnidirectional
Power 50 watts maximum
VSWR Less than 3:1 between 600 MHz – 2.5 GHz (typically 2.5 :1)
Less than 2.5:1 between 700 MHz – 800 MHz
Less than 2:1 between 800 MHz – 1.0 GHz (typically 1.5 :1)

Gain +5 dBi
Impedance 50 ohms (nominal)
Length 1.6m with standard mounting pole (alternate lengths on request)
Wind Survival Minimum 500 mm (18 in) with 1" or 12mm base mount options
Standard radome unit is designed to withstand wind speeds up to 200 km/h (125 mph)

Temperature -50 to +55°C 100% humidity
Connection FME female crimp connector -other connectors to order
5m of RG58 extra low loss coaxial cable

Mounting (see illustration)
U : Connector in base (no cable), Side mounted via insulators or clamps
1 : Base fed cable with connector, Side mounted via insulators or clamps
2 - Side fed cable with connector, Base mount with M12 bolt
3 - Side fed cable with connector, Base mount with 1" x 14 TPI
4 - Base fed cable with connector, Base mount with 1" x 14 TPI
SM - Spring base version for vehicle mounting (not shown) see CEL-SM
(Options 3 & 4 are compatible with standard marine swing down mounts)

Colour Standard is Black. Optional White.
Weight Unpacked : 1.5kg , Packed : 2kg
Warranty 12 Months

KEY FEATURES

- Broad bandwidth
- Efficient
- Durable
- Fully Marinised
- Long Service Life
- Over 45 years antenna design experience

UNLESS OTHERWISE SPECIFIED DIMENSIONS : mm ANGLES : d.			
CUSTOMER N°	TITLE : Improve communications		
FILE N°			
	SIZE A4	NMO-01-0041	REV A
	SCALE : N.D.		Prod. Doc.
			SHEET 1 of 1