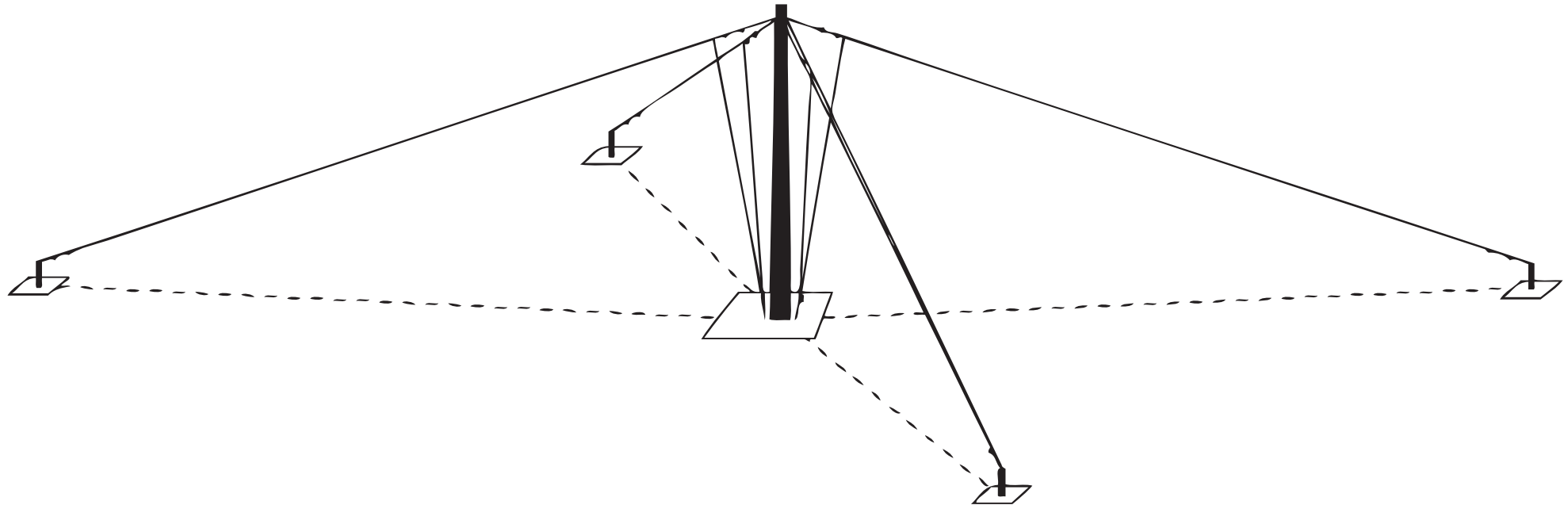


REV	MODIFICATIONS	DRAWN BY	CHECKED BY	DATE
A	CREATION	HE	HE	7/13/2011



Frequency Range	2 to 30 MHz with SWR <2:0:1
Approximate overall dimensions	85 x 85 x 20 metres
Radiation Pattern	Omnidirectional: Short, medium and long range communications possible
Power Capability	Power Capability 1 kW continuous
Radiating elements	SS Wire Rope 3.2mm
Connection	At base of central mast (to suit requirements)
Input Impedance	50 ohms (nominal)

UNLESS OTHERWISE SPECIFIED DIMENSIONS : mm ANGLES : d.			
CUSTOMER N°	TITLE : Broadband HF base station antenna system		
FILE N°			
	SIZE A4	NMO-01-0033	REV A
	SCALE : N.D.		Prod. Doc.
			SHEET 1 of 1