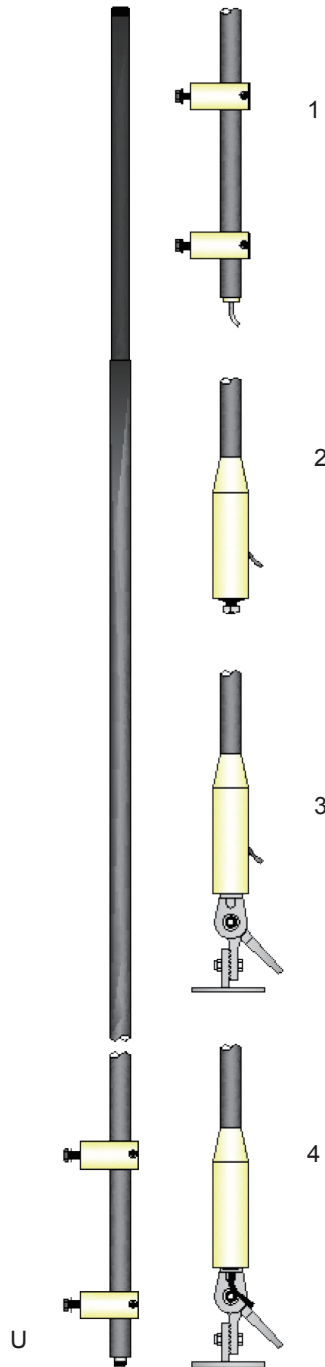


REV	MODIFICATIONS	DRAWN BY	CHECKED BY	DATE
A	CREATION	GI	GI	7/13/2011



Frequency Range	600MHz – 2.5GHz
Polarisation	Vertical , Omnidirectional
Power	50 watts maximum
VSWR	Less than 3:1 between 600 MHz – 2.5 GHz (typically 2.5 :1) Less than 2.5:1 between 700 MHz – 800 MHz Less than 2:1 between 800 MHz – 1.0 GHz (typically 1.5 :1)
Gain	+5 dBi
Impedance	50 ohms (nominal)
Length	1.6m with standard mounting pole (alternate lengths on request)
Wind Survival	Minimum 500 mm (18 in) with 1" or 12mm base mount options Standard radome unit is designed to withstand wind speeds up to 200 km/h (125 mph)
Temperature	-50 to +55°C 100% humidity
Connection	FME female crimp connector -other connectors to order 5m of RG58 extra low loss coaxial cable
Mounting (see illustration)	U : Connector in base (no cable), Side mounted via insulators or clamps 1 : Base fed cable with connector, Side mounted via insulators or clamps 2 - Side fed cable with connector, Base mount with M12 bolt 3 - Side fed cable with connector, Base mount with 1" x 14 TPI 4 - Base fed cable with connector, Base mount with 1" x 14 TPI SM - Spring base version for vehicle mounting (not shown) see CEL-SM (Options 3 & 4 are compatible with standard marine swing down mounts)
Colour	Standard is Black. Optional White.
Weight	Unpacked : 1.5kg , Packed : 2kg
Warranty	12 Months

KEY FEATURES

- Broad bandwidth
- Efficient
- Durable
- Fully Marinised
- Long Service Life
- Over 45 years antenna design experience

UNLESS OTHERWISE SPECIFIED DIMENSIONS : mm ANGLES : d.		NEARSON INC.	
CUSTOMER N°	TITLE :	Improve communications	
FILE N°			
	SIZE	NMO-01-0041	REV
	A4		A
SCALE : N.D.			Prod. Doc.
			SHEET 1 of 1